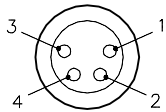
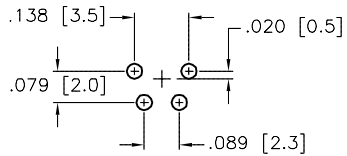


MALE END VIEW

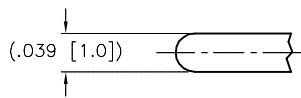
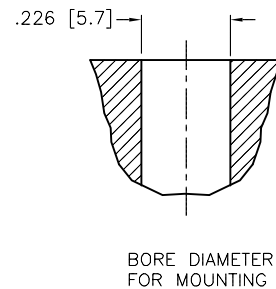
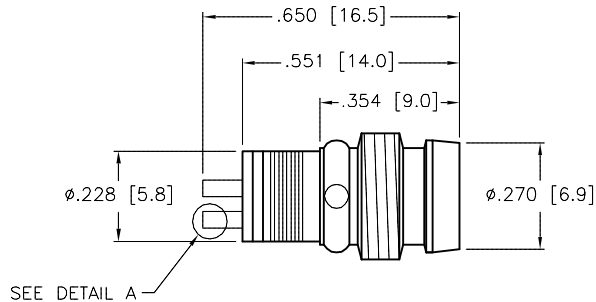
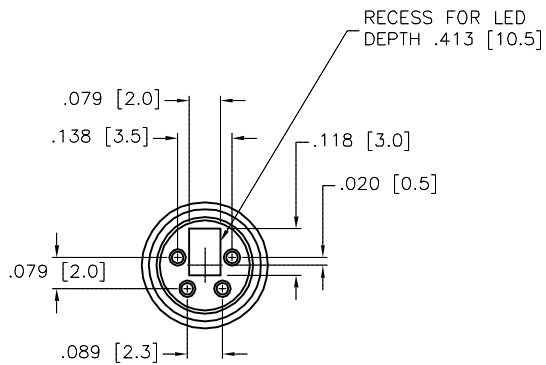


BOARD LAY-OUT



SPECIFICATIONS

CONTACT CARRIER MATERIAL/COLOR	NYLON/CLEAR
CONTACT MATERIAL/PLATING	BRASS/GOLD
HOUSING MATERIAL/PLATING	BRASS/NICKEL
RATED CURRENT [A]	4.0 A
RATED VOLTAGE [V]	36 VDC/ 30 VAC
TEMPERATURE RANGE	-30°C to +80°C (-22°F to +176°F)



DETAIL A
SCALE 2.5=1

NOTE: 1. (*) DESIGNATES P=PRINTED CIRCUIT PIN

SOURCE DRAWING - FOR REFERENCE ONLY

RELATED DOCUMENTS 1. 2. 3. 4.	3RD ANGLE PROJECTION 	THIS DRAWING IS CONFIDENTIAL AND THE PROPERTY OF TURCK INC. USE OF THIS DOCUMENT WITHOUT WRITTEN PERMISSION IS PROHIBITED.		3000 CAMPUS DRIVE MINNEAPOLIS, MN 55441 1-800-544-7769 (763) 553-7300 (763) 553-0708 fax www.turck.us	
	MATERIAL	DRFT IK APVD	DATE 04/14/99	DESCRIPTION ESGM 4P (10/BAG)	
			SCALE 1=.5		
	FINISH	ALL DIMENSIONS DISPLAYED ON THIS DRAWING ARE FOR REFERENCE ONLY CONTACT TURCK FOR MORE INFORMATION	UNIT OF MEASUREMENT INCH [MILLIMETER]		IDENTIFICATION NO. E3016
DO NOT SCALE THIS DRAWING			FILE: E3016	SHEET 1 OF 1	

A	DRAWING RELEASE	IK	04/14/99	
REV	DESCRIPTION	BY	DATE	ECO NO.